



**ULTATRON
FRANCE**

**5 YEARS
WARRANTY**

Technical sheet

ULTATRON LiFePO4 Smart BMS
Waterproof Portable Lithium Battery ULP-24-50

Compared with traditional marine batteries, our lithium iron phosphate batteries are distinctive for advantages of:

- Ingress Protection Rating: IP65
- Color display of battery status (voltage, charge rate) in a LCD screen
- The safest technology, without risk of fire or explosion
- Long service life
- High stability even under extreme loads
- No memory effect, no need for full charge and discharge cycles
- High performance even under extreme conditions
- Deep and regular discharge and charging efficiency
- Small size and light weight
- 5 years manufacturer's warranty
- Terminal output with M8 diameter for powering motors and power devices.

Integrated Battery Management System (BMS)

To allow the control and the charge of different elements of an accumulator battery and to protect it against overcharging, over-voltages and overheating.



Integrated
Bluetooth 4.0 monitoring



You have all important battery data always on your smartphone or tablet. The application displays the data in real time.

MARQUE FRANÇAISE



TECHNICAL SHEET



ULTIMATRON LiFePO4 Smart BMS Waterproof Portable Lithium Battery ULP-24-50

ELECTRICAL PERFORMANCE

Nominal voltage	25.6V
Nominal capacity	50Ah
Energy	1280Wh
Number of cycles	≥6000@80%D.o.D

CHARGE PERFORMANCE

Recommended charge current	10A
Maximum charge current	50A
Charge mode	0.2C CC to 29.2V, then CV at 29.2V until current ≤ 0.02C

DISCHARGE PERFORMANCE

Maximum continuous discharge current	50A
Recommended discharge current	10A
Discharge cut-off voltage	21.2V

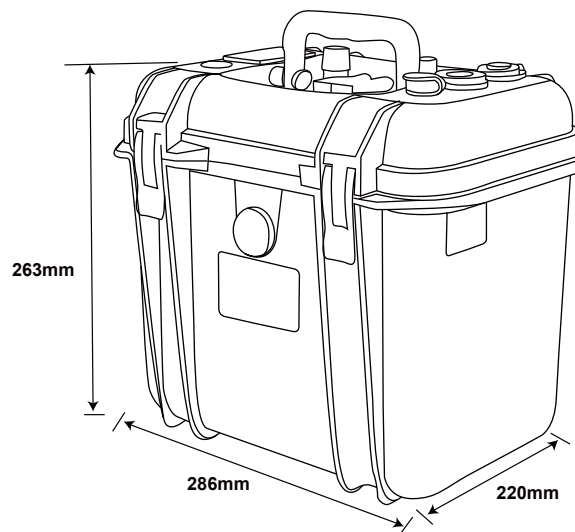
TEMPERATURE PERFORMANCE

Discharge temperature	-20°C to 60°C (-4°F to 140°F) @60 ± 25% Relative Humidity
Charge temperature	0°C to 45°C (32°F to 113°F) @60 ± 25% Relative Humidity
Storage temperature	0°C to 40°C (32°F to 104°F) @60 ± 25% Relative Humidity

MECHANICAL PERFORMANCE

Weight	13kg
Connector type	M8, Anderson SB50, USB-A, USB-C, Cigarette lighter
Display	Color screen
Case material	ABS/PP
Ingress protection	IP65
Bluetooth	Bluetooth 4.0 with smartphone app

DIMENSION



DIN standard dimensions L286 * W220 * H263 mm

COMPLIANCE

Certifications	CE UN38.3
Shipping classification	UN 3480, CLASS 9



ULTIMATRON FRANCE

ULTIMATRON FRANCE

Add: 286 Rue Charles Gide, 34670 Baillargues, France

info@ultimatron-france.fr

Tel: +33(0)9 50 42 76 17

V1 16.01.26

