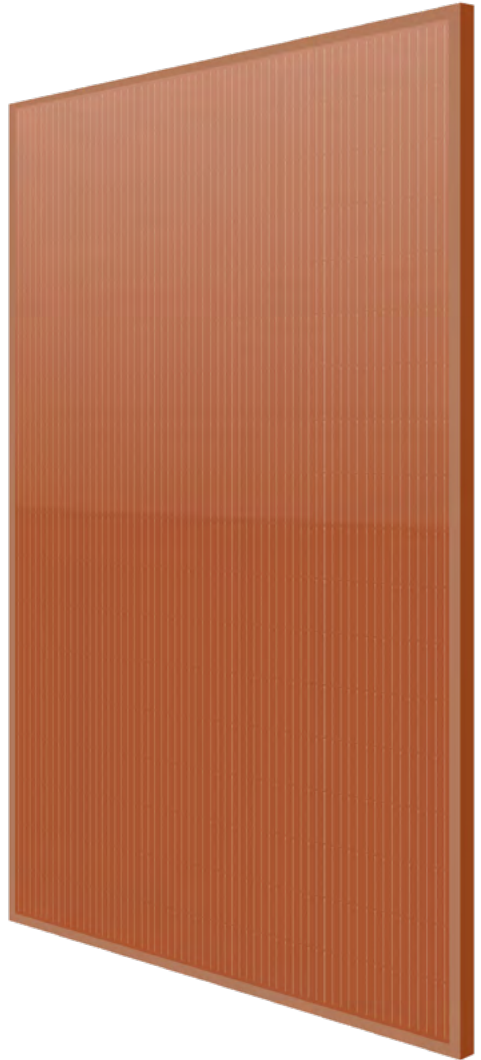


# Terracotta BIPV

MEPV 108 cells — PV Module

> 350/355/360/365 Wp



### BIPV

Architectural integration



### N-type cell

Higher resistance to LID and LeTID



### TOPCon

Technology to increase cell efficiency



### Easy to handle

Comfortable installation thanks to an optimized area size



### SuperMBB

Reduced resistance losses and improved current collection



### Better temperature coefficient

Minimized thermal losses, improved efficiency



# 20 Years

Product Warranty

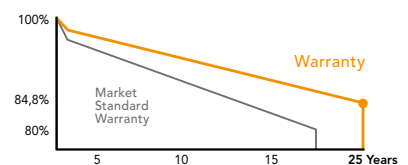
+5 years for Premium Partners

# 25 Years

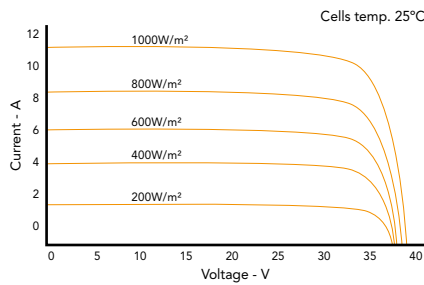
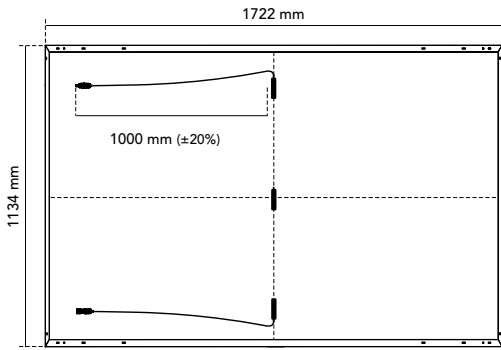
Performance Warranty

Linear Warranty

84,8% performance at 25 years



# MEPV 108 — TERRACOTTA BIPV 350-365Wp



Mechanical Specification	
Solar cells	108 (6 x 18), N-Type monocrystalline silicon cells
Colour	RAL 8001
Front Glass	3,2 mm thick tempered glass with high strength and ARC
Frame	Terracotta anodized aluminium
Junction Box	IP68, 3 by-pass diodes
Connector	Connector MC4 compatible
Cable	1000 mm (±20%) length and 4 mm² section
Dimension	1722 x 1134 x 30 mm (±1%)
Area	1,95 m²
Weight and packaging	20,5 kg, 936 pcs-truck

Temperature Coefficients	
Temperature coefficient of Isc ( $\alpha$ )	0,05 %/°C
Temperature coefficient of Voc ( $\beta$ )	-0,28 %/°C
Temperature coefficient of Pmax ( $\gamma$ )	-0,29 %/°C
Temperature range	-40 °C ~ +85 °C
Nominal operating cell temperature (NOCT)	45 ± 2 °C

Terracotta	MEPV 350	MEPV 355	MEPV 360	MEPV 365
<b>STC: 1000 W/m², module temperature 25°C, AM 1,5</b>				
Nominal power. Pmax	350 Wp	355 Wp	360 Wp	365 Wp
Module efficiency	17,95 %	18,23 %	18,45 %	18,71 %
Short-circuit current (Isc)	11,43 A	11,47 A	11,61 A	11,69 A
Open-circuit voltage (Voc)	38,47 V	38,59 V	38,98 V	39,22 V
Maximum power current (Imp)	10,52 A	10,62 A	10,71 A	10,83 A
Maximum power voltage (Vmp)	33,26 V	33,42 V	33,63 V	33,69 V
<b>NOCT: 800 W/m², ambient temperature 20°C, AM 1,5</b>				
Nominal power. Pmax	266 Wp	270 Wp	274 Wp	277 Wp
Short-circuit current (Isc)	8,99 A	9,06 A	9,17 A	9,19 A
Open-circuit voltage (Voc)	36,24 V	36,43 V	36,56 V	36,87 V
Maximum power current (Imp)	8,55 A	8,59 A	8,69 A	8,75 A
Maximum power voltage (Vmp)	31,12 V	31,40 V	31,49 V	31,69 V
<b>Operating parameters</b>				
Maximum voltage	1000 - 1500 V			
Maximum series fuse rating. Ir	25 A			
Power output tolerance	0 - +3%			
Voc and Isc tolerance	±3%			
Fire rating	Class C (UL 790)			
Protection class	Class II (IEC 61140)			
Hail resistance	HW3/RG3			
Mechanical loads	Front load 5400 Pa, Back load 2400 Pa			

NOTE: Read the instruction manual of this product and follow the indications STC. Values are valid for: 1000W/m², AM 1,5 and cells temperature of 25°C. Measurement tolerance +/-3% (AAA Solar simulation -IEC 60.904-9-). All the information of this brochure may be amended without notice  
 \_MEPV 108\_TERRACOTTA BIPV\_350-365Wp\_EN\_MAR2024