

# Ultracell®

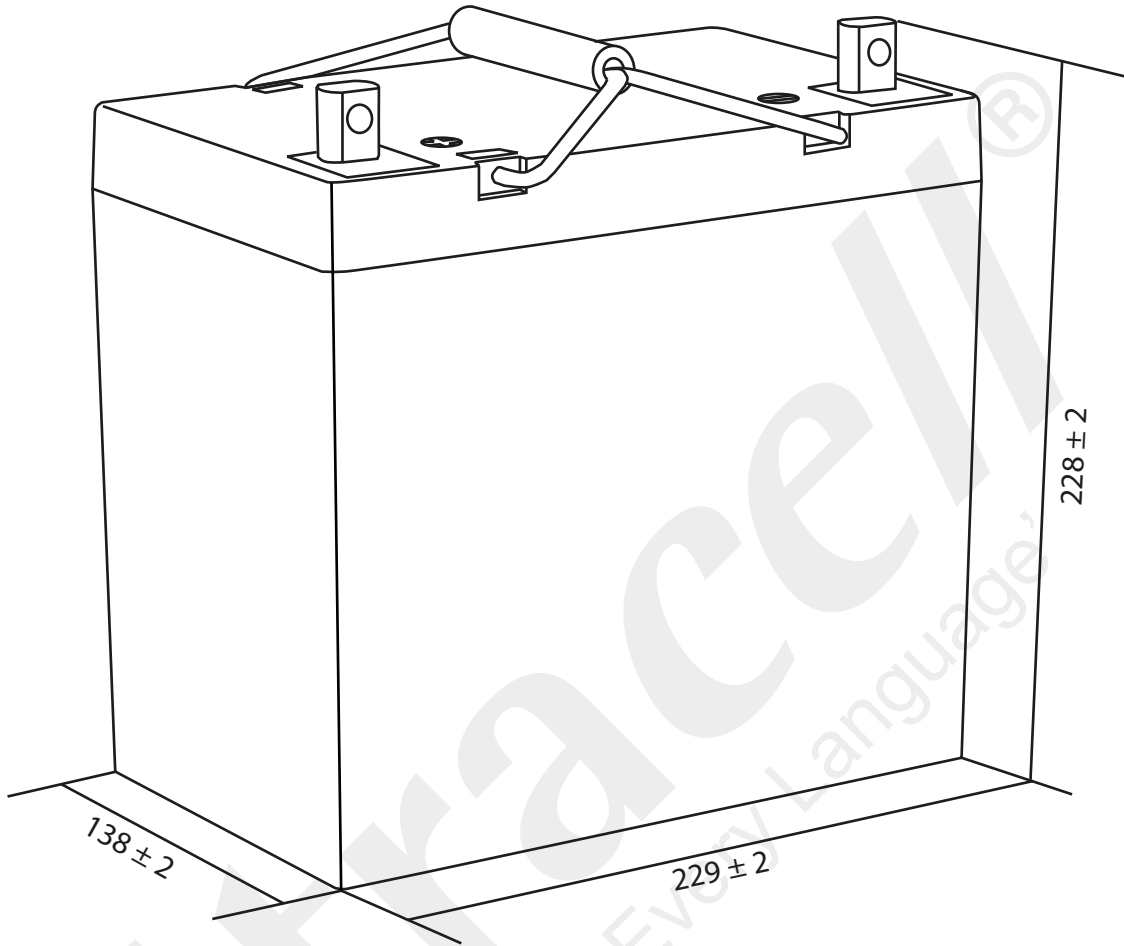
'Quality in Every Language'

UCG55-12

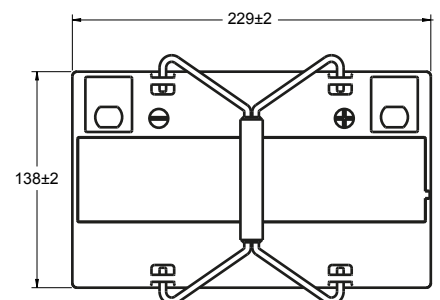
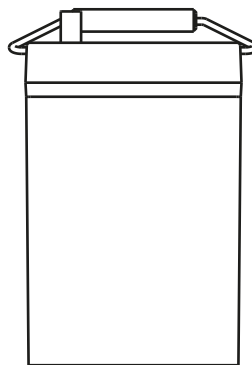
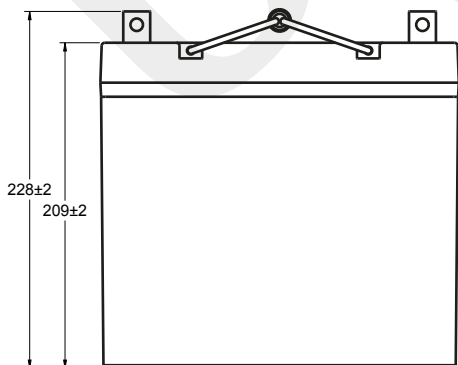
12V 55Ah (C<sub>10</sub>)

12V 64Ah (C<sub>100</sub>)

Solar Series



## Technical Dimensions (mm)



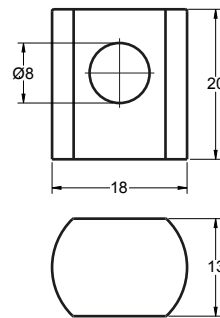


Image



Terminal Dimensions (mm)

Standard Terminal: F9



Technical Specification

<b>Output</b>	Nominal Voltage	12V
	Nominal Capacity (10HR)	55Ah
<b>Terminal Type</b>	Standard Terminal	F9
<b>Container Material</b>	Standard Option	ABS
	Flame Retardant Option (FR)	ABS (UL94:VO)
<b>Rated Capacity</b>	(100HR 1.80V/cell, 25°C)	64 Ah/0.64A
	(20HR 1.80V/cell, 25°C)	57.8 Ah/2.89A
	(10HR 1.80V/cell, 25°C)	55.0 Ah/5.50A
	(5HR 1.75V/cell, 25°C)	48.5 Ah/9.69A
	(3HR 1.75V/cell, 25°C)	42.0 Ah/14.0A
	(1HR 1.60V/cell, 25°C)	34.8 Ah/34.8A
<b>Max Discharge Current</b>	550A (5s)	
<b>Internal Resistance</b>	Approx 9mΩ	
<b>Discharge Characteristics</b>	Operating Temp Range	Discharge: -15 ~ 50°C
		Charge: 0 ~ 40°C
		Storage: -15 ~ 40°C
	Nominal Operating Temp Range	25 ± 3°C
Cycle Use	Initial Charging Current less than 13.8A.	
	Voltage 14.1V ~ 14.4V @ 25°C Temp. Coefficient -30mV/°C	
Standby Use	No limit on initial charging current.	
	Voltage 13.5V ~ 13.8V @ 25°C Temp. Coefficient -20mV/°C	
Capacity affected by Temperature	40°C	103%
	25°C	100%
	0°C	86%
<b>Design Floating Life at 20°C</b>	15 Years	

Self Discharge

Ultracell® UCG batteries may be stored for up to 6 months at 25°C and then a refresh charge is required. For higher temperatures the time intervals will be shorter.

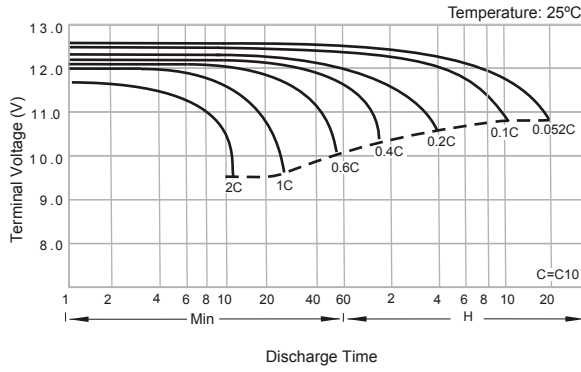
Constant Current Discharge / Constant Power Discharge At 25°C (Amperes & Watts/Cell)

A = Amperes W = Watts

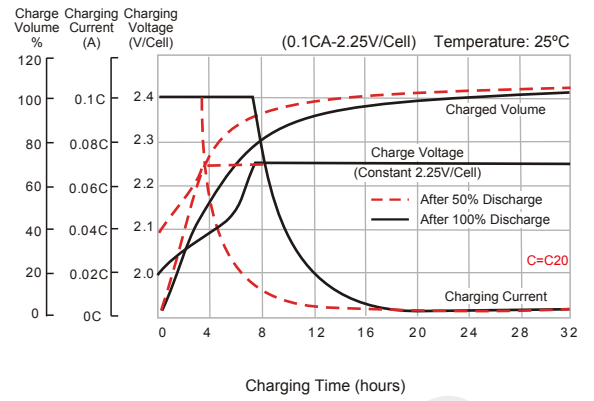
F.V/TIME	30 min	60 min	2 hours	3 hours	4 hours	5 hours	6 hours	8 hours	10 hours	20 hours
A \ W										
1.85V/cell	44.9	28.6	16.3	13.0	10.6	9.04	7.79	6.37	5.11	2.68
	86.1	55.4	31.7	25.3	20.7	17.8	15.4	12.6	10.2	5.34
1.80V/cell	50.1	30.3	17.2	13.8	11.1	9.37	8.11	6.53	5.50	2.89
	94.8	58.4	33.3	26.7	21.6	18.3	15.9	12.9	10.9	5.73
1.75V/cell	52.3	32.1	17.9	14.0	11.5	9.69	8.25	6.64	5.55	2.92
	98.1	61.6	34.6	27.1	22.4	18.9	16.2	13.1	11.0	5.78
1.70V/cell	52.9	33.6	18.6	14.4	11.8	9.86	8.39	6.75	5.61	2.94
	98.6	64.2	35.8	27.9	22.8	19.2	16.4	13.3	11.1	5.83
1.67V/cell	53.7	34.8	19.2	14.9	12.0	10.0	8.48	6.86	5.66	2.97
	99.2	66.0	36.7	28.6	23.3	19.5	16.5	13.5	11.2	5.88
1.60V/cell	54.5	35.2	19.5	15.1	12.2	10.2	8.53	6.92	5.72	3.00
	99.8	66.4	37.1	29.0	23.5	19.7	16.6	13.6	11.3	5.93



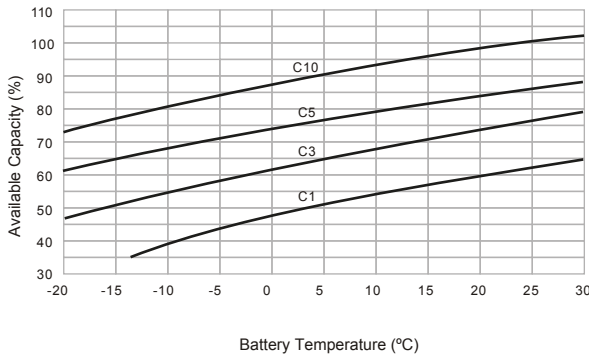
Discharge Characteristics



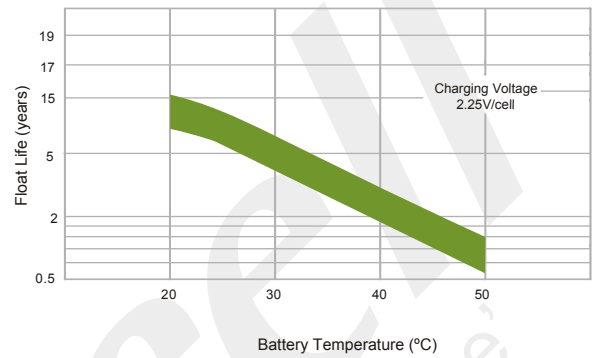
Float Charging Characteristics



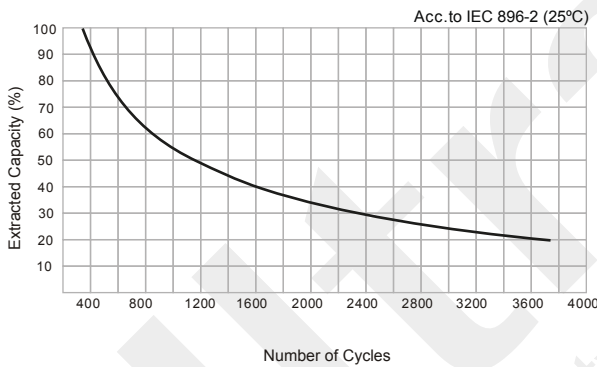
Temperature Effects in Relation to Battery Capacity



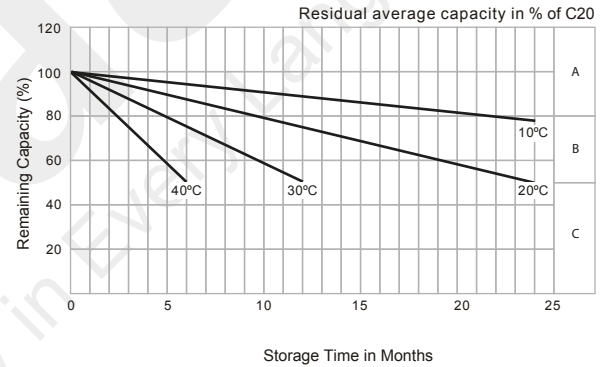
Effect of Temperature on Long Term Float Life



Cycle Life in Relation to Depth of Discharge



General Relation of Capacity vs. Storage Time



General Relation of Capacity vs. Storage Time (Notes)

- A) No supplementary charge required.  
(Carryout supplementary charge before use if 100% capacity is required.)
- B) Supplementary charge required before use. Optional charging way as below:
  1. Charged for above 3 days at limited current 0.25CA and constant voltage 2.25V/cell.
  2. Charged for above 20 hours at limited current 0.25CA and constant voltage 2.25V/cell.
  3. Charged for 8 ~ 10 hours at limited current 0.05 CA.
- C) Supplementary charge may often fail to recover the capacity.  
The battery should never be left standing till this is reached.